

# REIMAGINE REINVENT AND REALIGN

FOCUSING ON THE ESCROW COMMUNITY



CALIFORNIA ESCROW ASSOCIATION  
69<sup>TH</sup> Annual Conference

OCTOBER 17-19, 2024 • ANAHEIM HILTON

REGISTRATION BROCHURE

# GENERAL INFORMATION

R

E

T

M

A

G

I

N

E

## LOCATION

This year's conference will be at the Hilton Anaheim.

### HILTON ANAHEIM

777 West Convention Way  
Anaheim, CA 92802  
714.750.4312 – phone  
[Click here to register.](#)



CEA Guest Room Rate:  
\$189 for single/double occupancy.  
**Registration deadline: September 25, 2024.**

## GENERAL INFORMATION

**PLEASE REGISTER ONLINE** (link on page 6).

**FEES:** All fees must accompany your registration.  
Registration deadlines are listed on page 6.

**CANCELLATION:** All cancellations must be made in writing. Cancellations received on or before October 1, 2024 will receive a full refund LESS a \$100 processing fee. No refunds will be granted after October 1.

## ESCROW EXPO

Come see the latest in services and products to help make your job easier plus visit fun lifestyle vendors who will help you get a jump start on your holiday gift giving.

## DISCLAIMERS

**BY REGISTERING FOR AND ATTENDING THIS CONFERENCE, YOU AGREE:**

Your image may be taken and used at any time, without further notification, for printed materials, websites, social media, and other marketing purposes.

Your contact information may be provided to exhibitors for a one-time use in providing you information regarding their products/services. You may opt out of sharing your information when you register.

## CEA 2025 PRESIDENT SHARON STRAHLENDORF INSTALLATION LUNCHEON

This year's luncheon on Saturday will feature award presentations for outstanding achievement. The 2025 Board of Directors will also be installed. Be sure and join us to welcome our new president and hear what she has planned for CEA in 2025.

## COCKTAIL RECEPTION

Join your fellow conventioners following the education session on Friday, October 18<sup>th</sup> for cocktails, hors d'oeuvres, networking, and to work an assembly line to help put together CareKits for those experiencing homelessness in Orange County. Come mingle at this "feel good" event! See page 4.

## PROFESSIONAL DESIGNATION CREDITS

**The conference will be offering a maximum of 12.75 CEUs. If you pass the Notary Exam, earn 3 additional CEUs.**

P.D. holders receive a discounted conference registration. The P.D. exam will be held on Sunday, October 20<sup>th</sup>. You must register for the exam by September 27, 2024. Details on page 3.

## SPONSORSHIP/EXHIBIT OPPORTUNITIES

There are many opportunities available for companies to sponsor and to exhibit at this year's conference. Download the forms from [www.ceaescrow.org](http://www.ceaescrow.org).

## MORE INFORMATION

California Escrow Association  
2520 Venture Oaks Way, Suite 150  
Sacramento, CA 95833  
916.239.4075 – phone | 916.924.7323 – fax  
[www.ceaescrow.org](http://www.ceaescrow.org) | [cea@camgmt.com](mailto:cea@camgmt.com)



# CONFERENCE SCHEDULE

12.75 PD CREDITS AVAILABLE. ALL EVENTS WILL BE HELD AT THE HILTON ANAHEIM

## THURSDAY, OCTOBER 17, 2024

- 8:30 am - 4:30 pm **Notary Class**  
See page 4 for details.  
Separate registration required:  
[www.NotariesUnlimited.com](http://www.NotariesUnlimited.com)
- 4:00 pm - 6:00 pm **Registration Open**

## FRIDAY, OCTOBER 18, 2024

- 7:30 am - 5:00 pm **Registration Open**
- 7:30 am - 5:00 pm **Escrow Expo Open**
- 7:30 am - 8:30 am **Continental Breakfast in the Expo**
- 8:30 am - 10:00 am **SESSION 1** (1.5 PD credits)  
**Legal Panel: Knowledge is Power ... Updates on Legal Matters Affecting Escrow Agents (part 1)**  
• Rose Pothier, Esq.  
• Matthew Davis, Esq.  
• Steve Garcia, Esq.  
• Jennifer Felten, Esq.  
• Ben Griffin, Esq.
- 10:00 am - 10:15 am **Expo Break**
- 10:15 am - 10:30 am **Welcome to the Annual CEA Conference**  
• Mickey Vandenberg, 2024 CEA President
- 10:30 am - 11:45 am **SESSION 2** (1.25 PD credits)  
**2024 State of Wire Fraud**  
• Kyle Kerrigan, *CertifID*
- 11:45 am - 12:00 pm **Expo Break**
- 12:00 pm - 1:30 pm **SESSION 3 – ANNUAL LUNCH** (0.5 PD credits)  
**Fortitude and Fun: Embracing Challenges with a Resilient Spirit and a Sense of Humor**  
• Jan Cerasaro, *Jan Cerasaro Coaching*
- 1:30 pm - 1:45 pm **Expo Break**
- 1:45 pm - 3:15 pm **SESSION 4** (1.5 PD credits)  
**Update on Homeowners Insurance Circumstances in California**  
• Phillip Irwin, *California Fair Plan Association*  
• Julia Juarez, *Department of Insurance*
- 3:15 pm - 3:30 pm **Expo Break**
- 3:30 pm - 4:45 pm **SESSION 5** (1.25 PD credits)  
**Annual Tax Update and Other Recent Observations**  
• Michael Haas, CPA
- 5:00 pm - 6:00 pm **Charity Event**  
See page 4 for details.

## SATURDAY, OCTOBER 19, 2024

- 7:30 am - 5:00 pm **Registration Open**
- 7:30 am - 3:30 pm **Escrow Expo Open**
- 7:30 am - 8:30 am **Continental Breakfast in the Expo**
- 8:30 am - 10:00 am **SESSION 6** (1.5 PD credits)  
**The Ins and Outs of California Property Taxes**  
This session will explain how local assessors value property from homes to skyscrapers to private planes, and how to lower your property taxes.  
• Carl M. Lindner, *Assessment Counselling Services*
- 10:00 am - 10:15 am **SESSION 7**  
**American Escrow Association Update**  
• Jennifer Smith, *AEA President*
- 10:15 am - 10:30 am **Expo Break**
- 10:30 am - 11:45 am **SESSION 8** (1.25 PD credits)  
**Legislative Update**  
• Michael D. Belote, *California Advocates*  
• Cliff Costa, *California Advocates*
- 8:45 am - 11:45 am **SESSION 9 – CONCURRENT SESSION**  
(3.0 PD credits)  
**Bulk Sales**  
• Debbi Faber, CSEO, CBSS, CEI, *Chicago Title*
- 11:45 am - 12:00 pm **Expo Break**
- 12:00 pm - 1:30 pm **Lunch / Installation / Annual Business Meeting**
- 1:30 pm - 1:45 pm **Expo Break**
- 1:45 pm - 2:45 pm **SESSION 10** (1.0 PD credits)  
**Recent Financial & Real Estate Fraud Issues**  
• Eric Vitale, *San Luis Obispo DA's Office*
- 1:45 pm - 2:45 pm **SESSION 11 – CONCURRENT SESSION**  
(1.0 PD credits)  
**Basic Mobilehome Transaction Processing**  
• Rosanna Medeiros, CSEO, *Placer Title*
- 2:45 pm - 3:15 pm **Final Expo Break / Drawing**
- 3:15 pm - 4:45 pm **SESSION 12** (1.5 PD credits)  
**More Legal Information Affecting Escrow Agents! Knowledge is Power ... Don't Miss Out!** (part 2)  
• Rose Pothier, Esq.  
• Matthew Davis, Esq.  
• Steve Garcia, Esq.  
• Jennifer Felten, Esq.  
• Ben Griffin, Esq.

## SUNDAY, OCTOBER 20, 2024

- 8:30 am - 1:00 pm **PD Exam**  
(Separate Registration Required)

R

E

T

N

V

E

N

T

# NOTARY PUBLIC COURSE



DUANE GOMER  
SEMINARS  
PRESENTS

## NOTARY PUBLIC COURSE & EXAM

**OCTOBER 17, 2024**

**8:30 AM - 4:30 PM**

**DISCOUNTED PRICE \$99.99\*\***

**ANAHEIM HILTON  
777 W. CONVENTION WAY  
ANAHEIM, CA 92802**

### Learning Benefit :

- ✓ Covers NEW Regulations
- ✓ Fundamentals of Forms:  
Jurats, Affidavits, Journal
- ✓ For new and renewing  
Notaries

### REGISTRATION

- 📞 (800) 439-4909
- 🌐 [www.NotariesUnlimited.com](http://www.NotariesUnlimited.com)
- ✉ [info@DuaneGomer.com](mailto:info@DuaneGomer.com)

\*\* \$24.00 Self Parking fee not included

\*\*\* \$40. exam fee not included.



R

E

A

L

T

G

N





# CALIFORNIA ESCROW ASSOCIATION 69<sup>TH</sup> Annual Conference

OCTOBER 17-19, 2024 • ANAHEIM HILTON

## FRIDAY NIGHT CHARITY EVENT!

We invite you to join us at a mingling event that will make you feel good AND help create CareKits for those experiencing homelessness in Orange County. Please join us Friday night from 5:00 – 6:00 to work an assembly line for a good cause!

Homeaid will supply the items and bags. Your donations will allow us to pay for the CareKit materials, which are \$20 each kit. Homeaid will keep track of the donations made through our dedicated link to know how many CareKits we can “purchase” and assemble on Friday night. **Donations must be received before 9/27/24 using this [LINK](#).** You may send a check to Headquarters before 9/27 designating how much for the charity event (no receipt from Homeaid for this option). We sincerely hope you can help at the conference on Friday night and/or make a donation to help purchase the CareKit items. There will be a no host bar and some light snacks available before we let you go out to dinner!



*Make a meaningful difference to the people experiencing homelessness in your community with a*

# CAREKIT

### What Goes in A CareKit?

- Snacks like granola bars, Cliff bars, etc
- A water bottle
- A pair of socks
- Sunscreen
- Reflective survival wrap
- A bandana
- Lip balm
- Disinfectant wipes
- Baby powder
- 211 resource card

### What Are CareKits?

HomeAid CareKits are small bags filled with essential items for those experiencing homelessness on Orange County streets.

HomeAid encourages you to keep CareKits in an easy-to-access location, such as your car. This way, it's easy to give a helping hand to people experiencing homelessness.



R  
E  
T  
I  
M  
A  
G  
I  
N  
E

R

E

T

N

V

E

N

T

# THANK YOU SPONSORS

## DISTINGUISHED SPONSOR



## ELITE SPONSORS

Friday Lunch



## PREMIER SPONSORS

Friday Breakfast



Saturday Breakfast

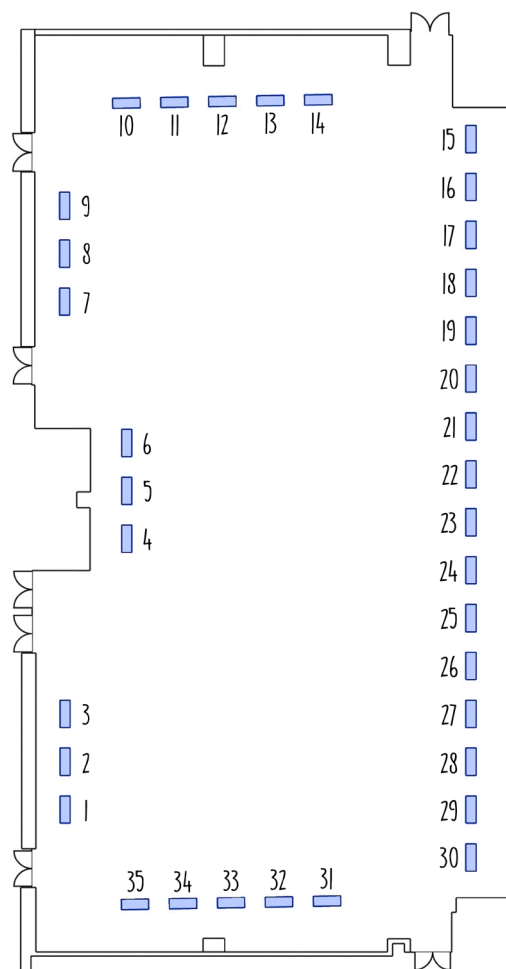


# VISIT OUR VENDORS!

### VENDOR

### BOOTH

BBS Notary Services .....	#
CALDA .....	#
City National Bank .....	#
Commercial Bank of California .....	#
Dingler Document Assistance .....	#
DIRECTS .....	#
Exchange Resources, Inc. ....	#
Exeter 1031 Exchange Services, LLC .....	#
First American NHD/JCP-LGS Disclosures .....	#
First Corporate Solutions .....	#
FPS Summit - Financial Processing Systems .....	#
Gonda+Co .....	#
Granite Software .....	#
imageX .....	#
Liberty Bank .....	#
MyNHD .....	#
Notaries Express LLC .....	#
RELAW, APC .....	#
Rexera .....	#
SMS StreamLine .....	#
SoftPro .....	#
Sundoc Filings .....	#





# REGISTRATION FORM

California Escrow Association 69<sup>TH</sup> Annual Education Conference  
October 17-19, 2024 • Hilton Anaheim

**Register Online at [www.ceascrow.org](http://www.ceascrow.org)!**  
CEA MEMBERS: Be sure to sign-in to get the member rate!



EARLY – on or before 10/2/24      REGULAR – after 10/2/24 & onsite

	Member	Non-Member	Member	Non-Member
Full Registration	\$415	\$615	\$545	\$755
Single Day, Friday or Saturday	\$270	\$480	\$410	\$595
Full Registration, PD Holder	\$390	N/A	\$520	N/A

### CANCELLATION POLICY

Cancellations must be submitted in writing to CEA Headquarters. Cancellations received on or before October 1, 2024 will receive a full refund, less a \$100 per person processing fee. No refund will be granted after October 1, 2024.



**REIMAGINE  
REINVENT  
AND REALIGN**

**FOCUSING ON THE ESCROW COMMUNITY**

R

E

A

L

I

G

N